

Wall Panelling Fixing Guide

Order from wallpanelling.co.uk

GENERAL INFORMATION

Please read this guide fully before starting installation of the panelling system. Note that this is a guide to installation only and may need amending a little to suit every situation.

CALCULATE WHAT YOU NEED (see website F.A.Q. for more help)

Panels: Measure the horizontal dimensions of the walls to be covered along the various straight lengths, treating each length separately. When calculating the cover of the Hare Wall Panelling System, remember that the wall panels slot to a maximum depth of 10mm into the skirting and dado rail, and 7mm maximum into each jointing strip. The wall panels themselves are 618mm wide, so work out panels centre to centre with the jointing strips at 660mm. For any remainder, work out whether you can cut a panel (OK as long as the cut is not through a moulded section) or whether a flat fill in panel is more suitable.

Skirting: Measure the total length of skirting required, bearing in mind that external corners will have to be mitred so allowance must be made for the additional length of skirting. Internal corners should also be mitred for neat joins

Jointing Strips: For wall panels, these should be cut to lengths of 770mm. Calculate how many vertical strips you need, allowing for end strips where the rebate does not want to be seen, for example at the end of a run.

Dado Rails: This is measured and cut in the same way as skirting, so allow in the length for mitres at the corners.

FIXING THE SKIRTING

Remove old skirting boards and make good if necessary. Cut your skirting to suit and check that all the cut skirting fits correctly before attempting to secure it. Fixing can be done using either nails – oval or lost head – or “Forget Nails” adhesive. If using nails, fix along the groove (as shown in Fig 2) and punch the nails below the surface so the hole can be filled for a smooth finish. Nail at maximum 900mm centres, closer if the walls are uneven. If fixing to masonry, use masonry nails, driven in at an angle horizontally. If using “Forget Nails”, apply to the back of the skirting as instructed on the cartridge. Note there will be a tendency for the panels to push away from the wall until the adhesive has set.

FIXING THE PANELS

Bearing in mind that all wall runs will start and finish with a jointing strip, loosely position connected jointing strips and panels along the fixed skirting boards of the first section of the wall. This will show you what panel cutting will need to be done.

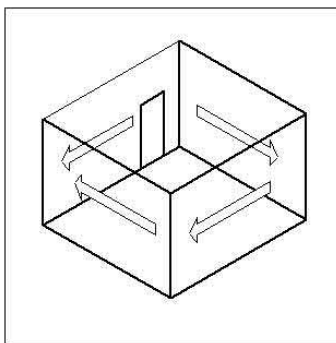


Fig 1. Work away from the door

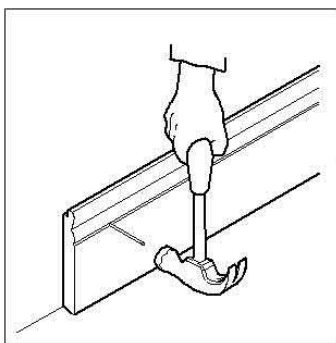


Fig 2. Fix the skirting securely through the groove, ensure the skirting is level

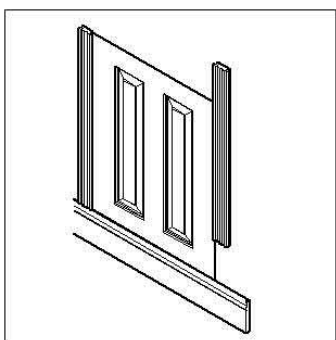


Fig 3. Fix first jointing strip in place, ensure it is vertical. Slot panel into first jointing strip and skirting. Then slide on second jointing strip.

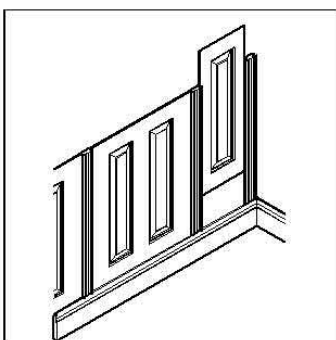


Fig 4. Try to ensure that part or cut panels are in corners or next to architraves.

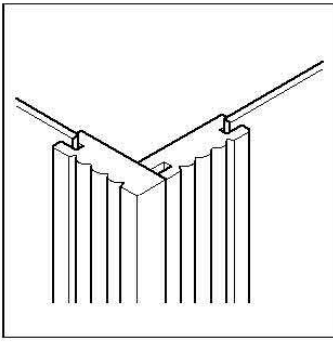


Fig 5. Use at least 1 edge strip for external corners as shown

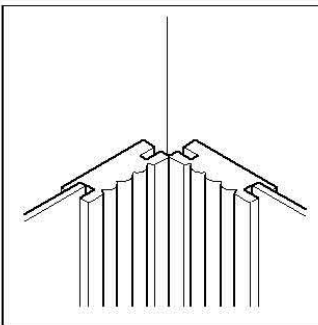


Fig 6. Butt jointing strips tightly together for internal corners

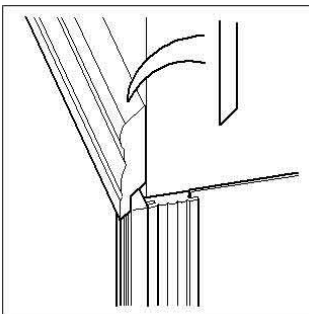


Fig 7. Fix the dado rail. Mitre dado end for external corners.

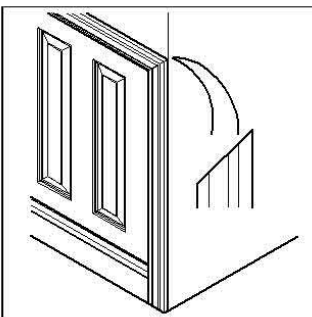


Fig 8. Finishing at corner using dado. Mitre Dado at corners for a neat finish.

You should aim to keep cuts to a minimum and use as many whole, uncut panels as possible. Adjust the positioning of the panels and jointing strips to give the best possible layout.

If panel cutting has to be done you may choose to start a run with a jointing strip and whole panel, finishing with a cut panel and jointing strip at the far end. The alternative is to use equally sized cut panels at the ends for a more balanced appearance. This latter method would also position the centre of a full panel in the centre of the run.

When you have decided on the layout, mark the exact position of the jointing strips. Secure the first jointing strip to the wall using the same fixing method as the skirting. Fit the first whole or cut panel in place ensuring that it fully enters the rebate in the skirting and the slot in the jointing strip. Fit the next jointing strip, securing it as before, making sure that it slots over the panel. Proceed around the room fitting the jointing strips and panelling.

For external corners, use end strips for any visible edges. Any hidden edges can use either end or joint strips.

For internal corners, use either end or joint strips, butting them tightly together as shown in **Fig 6**

FIXING THE DADO RAIL

The dado rail is measured and cut in much the same way as the skirting. Ensuring that the lengths allow for mitre cutting at the corners. Check that the pieces are the correct length before fixing them and ensure that they slot over the projecting panels. Dado rail can be used to finish off any exposed vertical edge, e.g. chimney breast or external corner where panel finishes. The vertical height at edges should be from the floor to the top of the dado rail, to give a nice finish to the skirting, panelling and top rail all at once. Skirting should be finished short to allow the vertical dado to slot onto the panel side and butt up against the skirting. The top corner should be mitred (see **Fig 7**).

Secure using the same technique as with the skirting, using either nails and filler or "Forget Nails" adhesive.

FINISHING OFF

Make good any gaps or nail holes with filler, then paint to suit the décor of your room. Our products are already white primed so you do not need a prime coat.

HARE WALL PANELLING

Langwith House

Well

Bedale

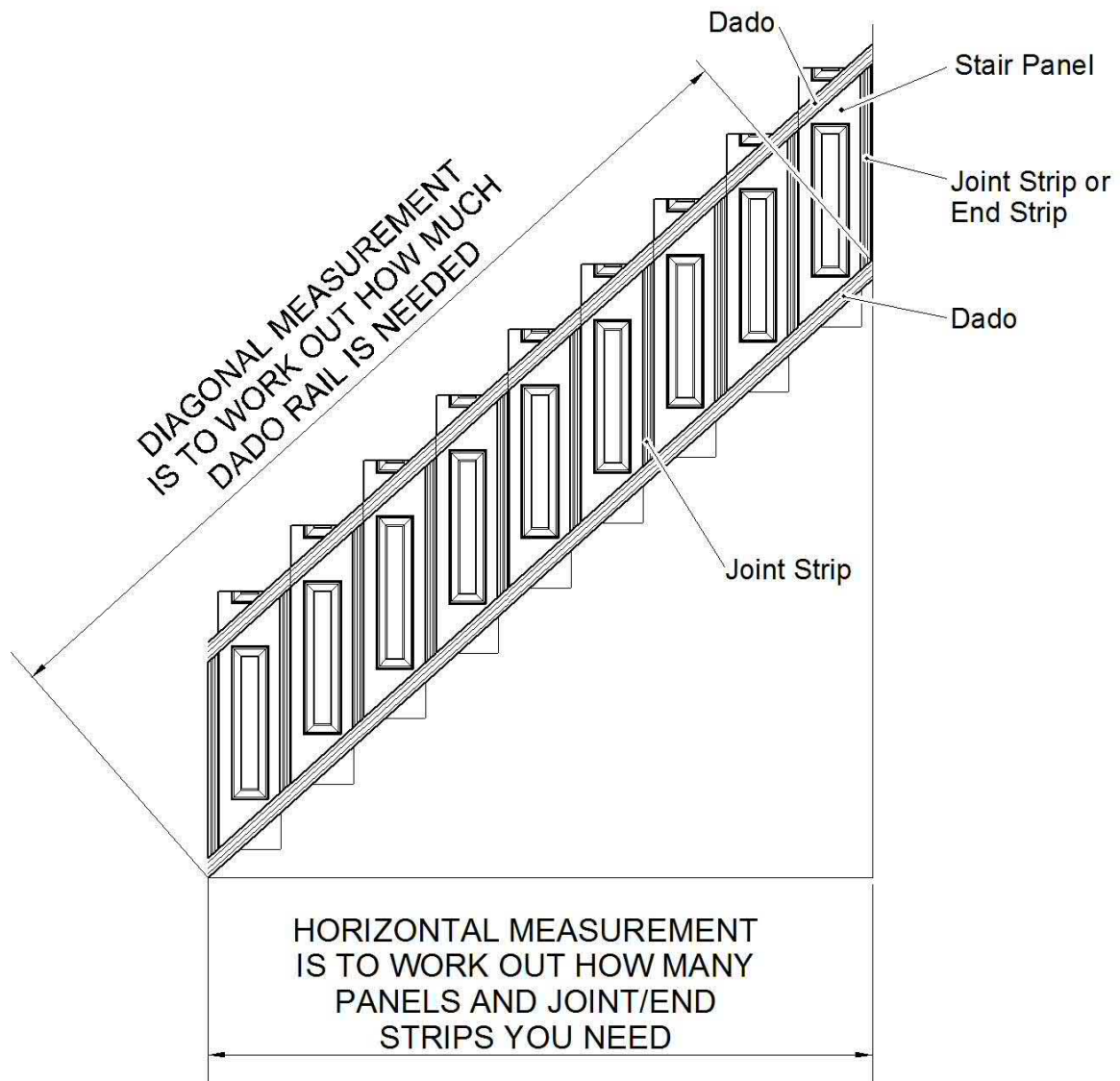
North Yorkshire

DL8 2PD

Tel: 01677 470285

email: enquiry@hare.uk.com

MEASURING GUIDE FOR STAIR PANELS.



To get the number of panels,

Divide the horizontal measurement by 285mm (11 ¼ inches)
If you are left with an odd bit to fill, use our fill in panels.

To get the number of joint/end strips,

You need 1 cut length of joint strip between each pair of stair panels, and at each end a cut length of joint or end strip. Remember you should get 3 cut lengths from each 2435mm (8 foot) full length.

To get the number of dado rails,

Measure the diagonal (i.e. along the slope) of the staircase, add 50mm (2 inches) for the angled cut, and multiply by 2.
Then, divide the total by 2435mm (the length of our dado rails). Make sure you round up for quantities

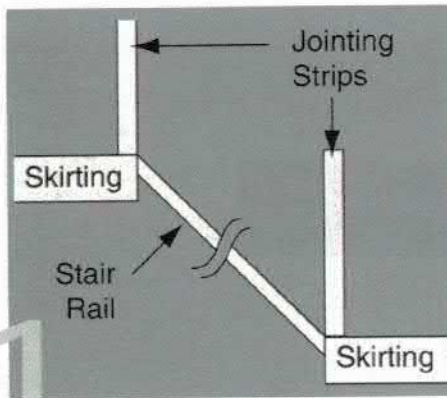
hare.uk.com
HARE
WALL PANELLING

Hare Wall Panelling
Langwith House
Well
Bedale
North Yorkshire
DL8 2PD

Website:
harewallpanelling.com
Phone:
01677 470014
Email:
mail@harewallpanelling.com

Stair Panel Fixing Guide.

Note that all stairs are different so please treat this as just a guide, not instructions.



FIT STAIR RAIL AND SKIRTING.

1. Positioning of the stair rail, skirting and jointing strips at top and bottom of flight of stairs is critical for correct installation (see figure 1). The stair rail is identical to the dado rail and is fitted with the groove upwards. Measure the length of stair rail required. Fit stair rail and skirting as per figure 1. You may have to adjust the final details to ensure the grooves of the skirting and stair rail meet correctly.

FIT JOINTING STRIP AND PLAN PANELLING AWAY FROM STAIRS

2. Position jointing strips as shown in figure 1 ensuring that they are vertical. IT IS IMPORTANT THAT THE JOINTING STRIPS AT THE TOP & BOTTOM OF STAIR ARE FITTED AND POSITIONED CORRECTLY AS THIS ENSURES THAT THE PANELLING HEIGHT IS CONSTANT THROUGHOUT INSTALLATION. Now plan the standard wall panels (not stair panels) as shown in figure 2. It is generally best to work from these jointing strips into the corners of hall or landing. DO NOT fit dado rail to wall panelling. This will be the final part of the installation.

MEASURE AND CUT ANGLED STAIR PANELS

3. To assess the angle of the stairs you can use an uncut stair panel. Position the panel as shown in figure 3. Place the stair panel against the vertical jointing strip (but NOT IN THE GROOVE) and slide until the other bottom corner meets the stair rail (again NOT in the groove). Now measure the distance X. Next measure the same distance as X in the position Y - this gives the angle to cut shown by the dotted line. When panel is cut, check the panel fits correctly into the grooves of the stair rail & jointing strip and is vertical. You can now measure for the top cut. Figure 4 shows how you should measure 783mm from A to B and 783mm from C to D - 783mm is the height of the standard wall panel.

MEASURE & CUT ANGLED JOINTING STRIPS

4. The jointing strips must have the same angle as the cut stair panel top and bottom. Note that the jointing strip needs to be 15mm shorter than the stair panel to accommodate the panel fitting into the grooves of the dado and stair rail. Cut the angle at the bottom of the jointing strip using the cut panel as a template. Figure 5 shows how you should use the panel template to mark the cut angle at the bottom of the jointing strip. Then measure 768mm from X to Y and use cut panel as template to cut top angle from point Y.

USE FIRST PANEL AND JOINTING STRIPS AS TEMPLATES & FIT PANELLING SYSTEM UP STAIRS.

5. Place first angled panel and first angled jointing strip in place to ensure they are a good fit and vertical. Use this first panel as a template for other panels and the first cut jointing strip as a template for other jointing strips. Fit remaining panels and jointing strips up flight of stairs ensuring panels are a good fit and jointing strips are vertical. DO NOT FIX THE PANELS AND JOINTING STRIPS until you have assessed how to finish at the top of the stairs. You will need to assess whether it is best to use the in-fill panel or to trim stair panel(s).

FINISHING OFF AT TOP OR BOTTOM OF STAIRS

6. If there is a gap to be filled either at the top or bottom of the stairs which is too narrow for a full or trimmed stair panel, then use the plain in-fill panel supplied with each box. Measure the horizontal distance between the last two jointing strips and add 10mm (to allow panel to fit into jointing strip grooves). Cut the width of the in-fill panel to fit and cut the top & bottom angle as per the other stair panels.

FIXING DADO RAIL

7. Having ensured all panels and jointing strips fit correctly, dismantle panels and start to fix by inserting first panel and fix the jointing strip. Repeat until all panels and jointing strips are fixed. Having fixed all the panels and jointing strips, the dado rail can be fitted. Measure and position all of the dado rail to check for good fit before fixing. Figure 6 shows the best way to fit the dado at the top and bottom of stairs (equal angled pieces).

FINISHING

8. For best results, make good any fixing points with a nitrocellulose filler or any good quality non-shrink filler. Paint, stain or varnish to required top coat finish.

