

# Wall Panelling Fixing Guide

Order from [www.hare.uk.com](http://www.hare.uk.com)

## GENERAL INFORMATION

Please read this guide fully before starting installation of the panelling system. Note that this is a guide to installation only and may need amending a little to suit every situation.

## CALCULATE WHAT YOU NEED (see website F.A.Q. for more help)

**Panels:** Measure the horizontal dimensions of the walls to be covered along the various straight lengths, treating each length separately. When calculating the cover of the Hare Wall Panelling System, remember that the wall panels slot to a maximum depth of 10mm into the skirting and dado rail, and 7mm maximum into each jointing strip. The wall panels themselves are 618mm wide, so work out panels centre to centre with the jointing strips at 660mm. For any remainder, work out whether you can cut a panel (OK as long as the cut is not through a moulded section) or whether a flat fill in panel is more suitable.

**Skirting:** Measure the total length of skirting required, bearing in mind that external corners will have to be mitred so allowance must be made for the additional length of skirting. Internal corners should also be mitred for neat joins

**Jointing Strips:** For wall panels, these should be cut to lengths of 770mm. Calculate how many vertical strips you need, allowing for end strips where the rebate does not want to be seen, for example at the end of a run.

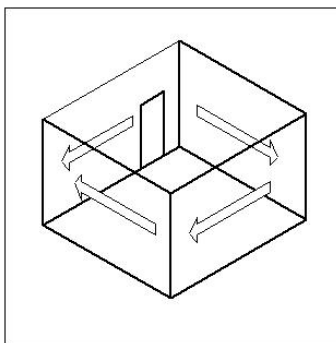
**Dado Rails:** This is measured and cut in the same way as skirting, so allow in the length for mitres at the corners.

## FIXING THE SKIRTING

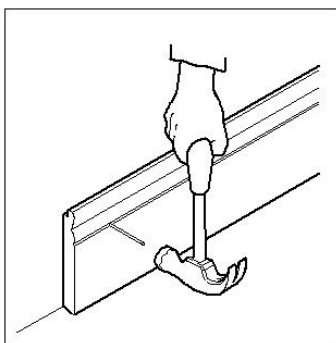
Remove old skirting boards and make good if necessary. Cut your skirting to suit and check that all the cut skirting fits correctly before attempting to secure it. Fixing can be done using either nails – oval or lost head – or “Forget Nails” adhesive. If using nails, fix along the groove (as shown in Fig 2) and punch the nails below the surface so the hole can be filled for a smooth finish. Nail at maximum 900mm centres, closer if the walls are uneven. If fixing to masonry, use masonry nails, driven in at an angle horizontally. If using “Forget Nails”, apply to the back of the skirting as instructed on the cartridge. Note there will be a tendency for the panels to push away from the wall until the adhesive has set.

## FIXING THE PANELS

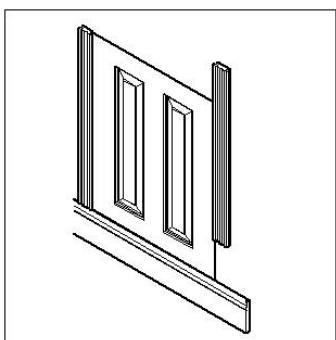
Bearing in mind that all wall runs will start and finish with a jointing strip, loosely position connected jointing strips and panels along the fixed skirting boards of the first section of the wall. This will show you what panel cutting will need to be done.



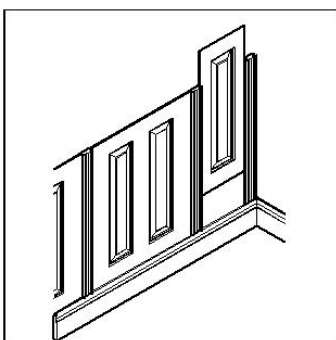
**Fig 1. Work away from the door**



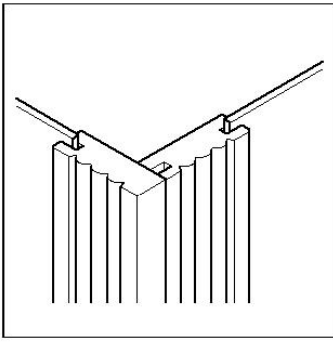
**Fig 2. Fix the skirting securely through the groove, ensure the skirting is level**



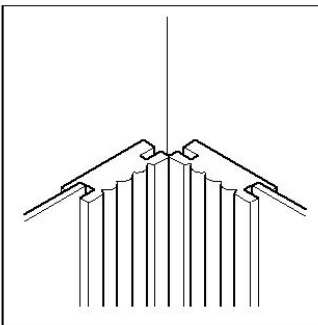
**Fig 3. Fix first jointing strip in place, ensure it is vertical. Slot panel into first jointing strip and skirting. Then slide on second jointing strip.**



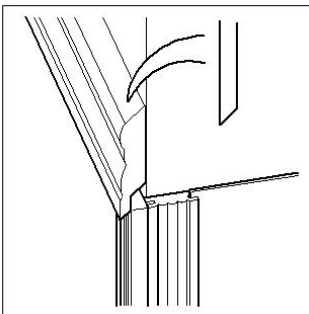
**Fig 4. Try to ensure that part or cut panels are in corners or next to architraves.**



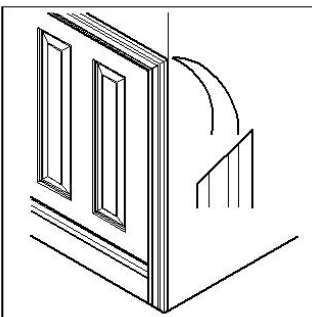
**Fig 5. Use at least 1 edge strip for external corners as shown**



**Fig 6. Butt jointing strips tightly together for internal corners**



**Fig 7. Fix the dado rail. Mitre dado end for external corners.**



**Fig 8. Finishing at corner using dado. Mitre Dado at corners for a neat finish.**

You should aim to keep cuts to a minimum and use as many whole, uncut panels as possible. Adjust the positioning of the panels and jointing strips to give the best possible layout.

If panel cutting has to be done you may choose to start a run with a jointing strip and whole panel, finishing with a cut panel and jointing strip at the far end. The alternative is to use equally sized cut panels at the ends for a more balanced appearance. This latter method would also position the centre of a full panel in the centre of the run.

When you have decided on the layout, mark the exact position of the jointing strips. Secure the first jointing strip to the wall using the same fixing method as the skirting. Fit the first whole or cut panel in place ensuring that it fully enters the rebate in the skirting and the slot in the jointing strip. Fit the next jointing strip, securing it as before, making sure that it slots over the panel. Proceed around the room fitting the jointing strips and panelling.

For external corners, use end strips for any visible edges. Any hidden edges can use either end or joint strips.

For internal corners, use either end or joint strips, butting them tightly together as shown in **Fig 6**

#### **FIXING THE DADO RAIL**

The dado rail is measured and cut in much the same way as the skirting. Ensuring that the lengths allow for mitre cutting at the corners. Check that the pieces are the correct length before fixing them and ensure that they slot over the projecting panels. Dado rail can be used to finish off any exposed vertical edge, e.g. chimney breast or external corner where panel finishes. The vertical height at edges should be from the floor to the top of the dado rail, to give a nice finish to the skirting, panelling and top rail all at once. Skirting should be finished short to allow the vertical dado to slot onto the panel side and butt up against the skirting. The top corner should be mitred (see **Fig 7**).

Secure using the same technique as with the skirting, using either nails and filler or "Forget Nails" adhesive.

#### **FINISHING OFF**

Make good any gaps or nail holes with filler, then paint to suit the décor of your room. Our products are already white primed so you do not need a prime coat.

#### **HARE WALL PANELLING**

Langwith House

Well

Bedale

North Yorkshire

DL8 2PD

Tel: 01677 470014

email: enquiry@hare.uk.com